

with set screw lock

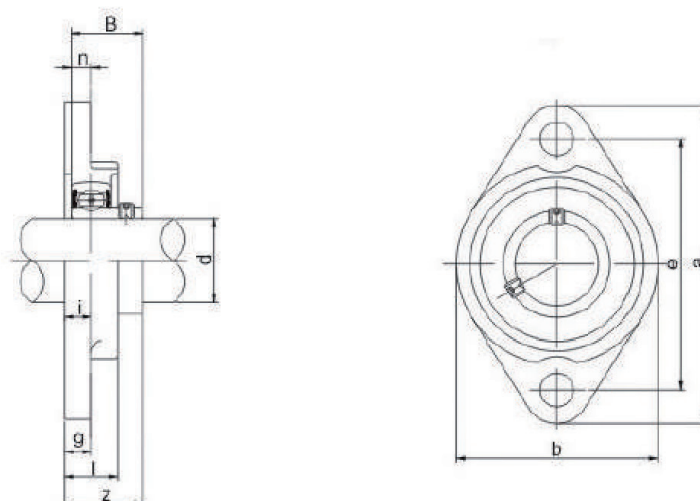
**bj.gear**

Customisation is our standard

## MKFL - Mini stainless steel flange bearings



### Technical specifications & drawings



Item no.	d	a	e	i	g	l	s	b	Z	B	n	Bolt size	Weight [kg]
MKFL000	10	60	45	5.5	5.5	11.5	7	36	15.5	14	4.0	M6	0.06
MKFL001	12	63	48	5.5	5.5	11.5	7	38	16.0	14.5	4.0	M6	0.07
MKFL002	15	67	53	6.5	6.5	13	7	42	18.6	16.5	4.5	M6	0.10
MKFL003	17	71	56	7.0	7.0	14	7	46	19.5	17.5	5.0	M6	0.13
MKFL004	20	90	71	8.0	8.0	16	10	55	23.0	21	6.0	M8	0.20
MKFL005	25	95	75	8.0	8.0	16	10	60	24.5	22.5	6.0	M8	0.24
MKFL006	30	112	85	9.0	9.0	18	13	70	27.0	24.5	6.5	M10	0.35
MKFL007	35	122	95	10.0	10.0	20	13	80	29.5	26.5	7.0	M10	0.50

All measurements are in millimeters. When ordering please use the catalogue numbers.

#### BJ-Gear A/S

Niels Bohrs Vej 47  
DK-8660 Skanderborg  
Denmark

Phone +45 87 40 80 80  
Email [bj@bj-gear.com](mailto:bj@bj-gear.com)  
Website [www.bj-gear.com](http://www.bj-gear.com)